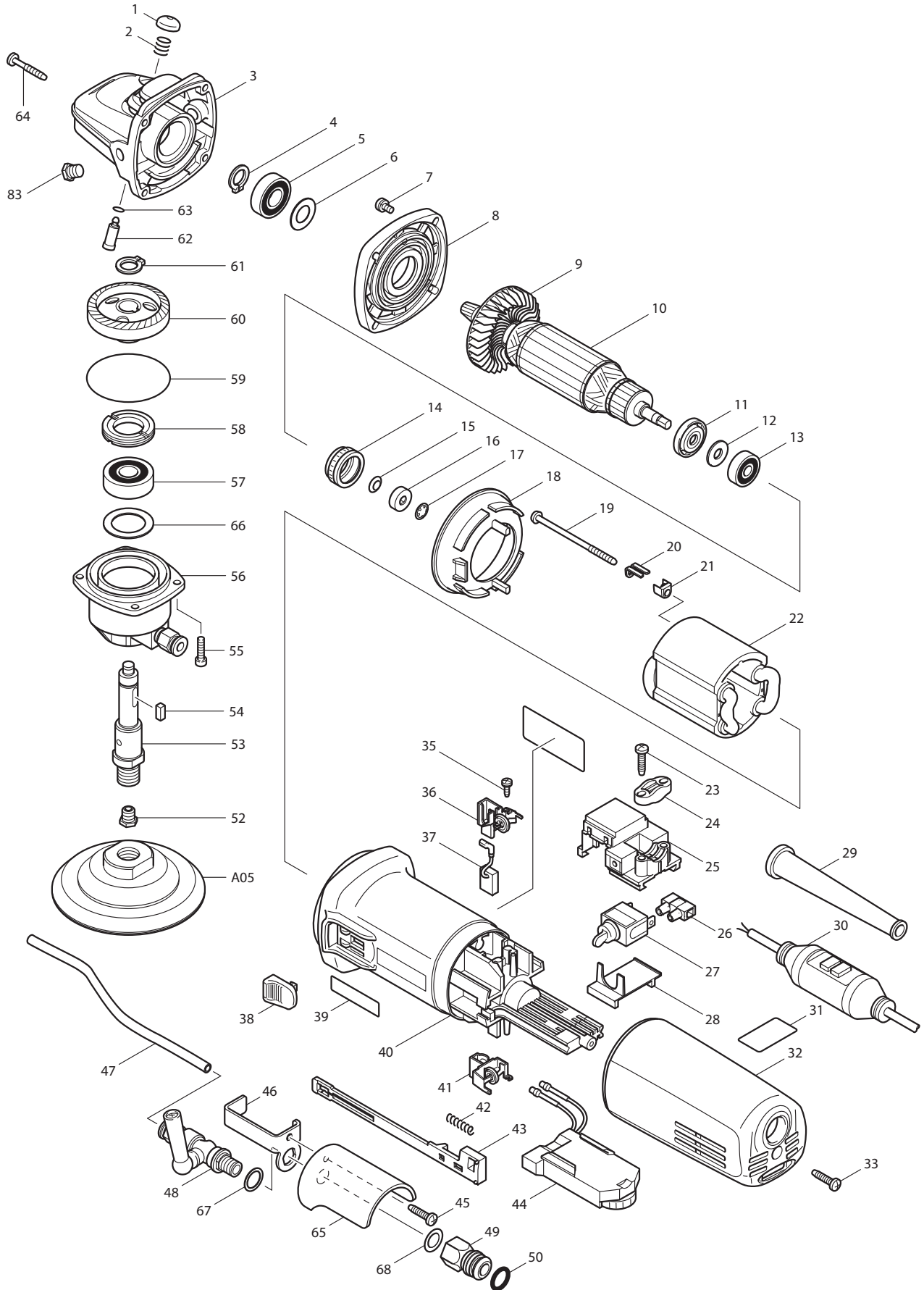




02 - 2013
PW5001C
5"(MAX) WET STONE POLISHER



Item No	Type	Ref	Part No	Description (*See Service Change)	Qty	Unit
1			418067-8	* PIN CAP	1	PC.
2			233072-2	COMPRESSION SPRING 8	1	PC.
3			153488-4	* GEAR HOUSING COM.	1	PC.
4			961052-5	RETAINING RING S-12	1	PC.
5	1		211131-2	BALL BEARING 6001DDW	1	PC.
	2		210105-0	BALL BEARING 6001LLU	1	PC.
6			253084-9	FLAT WASHER 12	1	PC.
7			652014-1	PAN HEAD SCREW M4X8	1	PC.
8			317736-7	GEAR HOUSING COVER	1	PC.
9			240033-5	FAN 57	1	PC.
10			515266-4	ARMATURE ASS'Y 115V	1	PC.
		INC.		Item No.9,11,12,13		
11			681656-4	INSULATION WASHER	1	PC.
12			253823-7	FLAT WASHER 7	1	PC.
13			210027-4	BALL BEARING 627DDW	1	PC.
14			421738-8	LABYRINTH RUBBER RING 22	1	PC.
15			267756-0	WAVE WASHER 6	1	PC.
16			688117-5	MAGNET SLEEVE	1	PC.
17			259039-2	SELF LOCK 6	1	PC.
18			418452-5	BAFFLE PLATE	1	PC.
19			266258-3	TAPPING SCREW 4X70	2	PC.
20			344871-8	RETAINER	2	PC.
21			417237-6	INSULATION COVER	2	PC.
22			626546-4	FIELD 115V	1	PC.
23			265995-6	TAPPING SCREW 4X18	2	PC.
24			687063-9	STRAIN RELIEF	1	PC.
25			632999-7	SWITCH BLOCK	1	PC.
26			654532-5	TERMINAL BLOCK 1P	1	PC.
27			651418-4	SWITCH ST115A-40	1	PC.
28			687113-0	COVER	1	PC.
29			682559-5	CORD GUARD 8	1	PC.
30			699025-5	POWER SUPPLY CORD UNIT	1	PC.
		INC.	652756-7	RESIDUAL CURRENT DEVICE	1	PC.
31			816399-1	INDICATION LABEL	1	PC.
32	2		158195-4	* REAR COVER COM.	1	PC.
		INC.	810014-9	* CAUTION LABEL	1	PC.
	3		418453-3	* REAR COVER (W/O CAUTION LABEL)	1	PC.
33			265995-6	TAPPING SCREW 4X18	1	PC.
35			266256-7	TAPPING SCREW PT3X10	4	PC.
36			643765-7	BRUSH HOLDER	1	PC.
37	1		191978-9	A.C. CARBON BRUSH CB-318 2PC/SET (W/O ORIGIN) - N/L/A	1	SET
	2		194999-0	A.C. CARBON BRUSH CB-318 2PC/SET (W/ ORIGIN)	1	SET
	3		195396-3	A.C. CARBON BRUSH CB-336 2PC/SET (W/ ORIGIN)	1	SET
	4		196454-8	A.C. CARBON BRUSH CB-336 2PC/SET (W/ ORIGIN)	1	SET
38			417813-6	A.C. CARBON BRUSH CB-340 2PC/SET (W/ ORIGIN)	1	PC.
40			418512-3	MOTOR HOUSING (W/O CAUTION LABEL)(OLD# 153757-3 - N/L/A)	1	PC.
41			643765-7	BRUSH HOLDER	1	PC.
42			233071-4	COMPRESSION SPRING 4	1	PC.
43			417186-7	SWITCH LEVER	1	PC.
44			631594-0	CONTROLLER	1	PC.
45			265995-6	TAPPING SCREW 4X18	1	PC.

Item No	Type	Ref	Part No	Description (*See Service Change)	Qty	Unit
46			345372-9	PLATE	1	PC.
47			245031-4	HOSE	1	PC.
48			154649-9	COCK COM.	1	PC.
		INC.	243098-6	JOINT	1	PC.
49			331669-2	HOSE JOINT	1	PC.
50			213107-5	O RING 12	1	PC.
52	1		324407-9	NOZZLE (3 diagonal holes & none side hole)	1	PC.
	2		325967-4	NOZZLE (2 diagonal holes & 2 side holes)	1	PC.
53			324408-7	SPINDLE	1	PC.
54			254202-2	KEY 4	1	PC.
55			265490-6	HEX. SOCKET HEAD BOLT M4X16	4	PC.
56			153717-5	BEARING BOX COMPLETE	1	PC.
		INC.	213280-1	OIL SEAL 17	2	PC.
		INC.	243098-6	JOINT	1	PC.
57			211129-9	BALL BEARING 6201DDW	1	PC.
58			285841-7	BEARING RETAINER	1	PC.
59			213673-2	O RING 52	1	PC.
60			227455-6	SPIRAL BEVEL GEAR 38	1	PC.
61			961052-5	RETAINING RING S-12	1	PC.
62			256459-1	PIN	1	PC.
63			213048-5	O RING 6	1	PC.
64			266257-5	TAPPING SCREW 4X28	4	PC.
65			162235-2	COVER	1	PC.
66			267126-3	FLAT WASHER 22	1	PC.
67			261128-1	RUBBER WASHER 12	1	PC.
68			261127-3	TEFLON WASHER 10 (Thickness change 0.5 > 1.0)	1	PC.
69			265083-9	+ FLAT HEAD SCREW M8X11 (F/HEAD COVER)	2	PC.
70			941201-0	FLAT WASHER 8 (F/FRONT GRIP)	2	PC.
71			922422-3	H.S.H BOLT M8X16 (F/FRONT GRIP)	2	PC.
80			345587-8	* BAND A (F/DUST COVER COM.)	1	PC.
81			345588-6	* BAND B (F/DUST COVER COM.)	1	PC.
82			251391-4	* P.H.SCREW M5X6 (F/DUST COVER COM.)	2	PC.
83			265083-9	+ FLAT HEAD SCREW M8X11 (F/GEAR HOUSING COM.)	1	PC.
101			654002-4	TERMINAL 1.25-M4 (F/EARTH)	1	PC.
102			654037-5	INSULATED TERMINAL RV1.25-3.5 (F/SWITCH)	2	PC.

ACCESSORIES

- See catalogue or visit www.makita.ca for more optional accessories -

A01	1		152490-4	GRIP 36 COMPLETE - N/L/A.	1	PC.
	2		153489-2	GRIP 36 COMPLETE	1	PC.
A02			D-15805	POLISHING PAD SET (8PCS/SET)	1	SET
A03	1		417322-5	* HEAD COVER (TYPE 1-2)	1	PC.
	3		141122-8	* HEAD COVER COM. (TYPE 3)	1	PC.
		INC.	810014-9	* CAUTION LABEL	1	PC.
A04			781008-0	WRENCH 17	1	PC.
A05			743079-5	RUBBER PAD 100	1	PC.
A06			418507-6	FRONT GRIP	1	PC.
A07			783204-6	HEX WRENCH 6 (F/FRONT GRIP)	1	PC.
A08			154662-7	* DUST COVER COM.	1	PC.
		INC.	443121-9	* DUST COLLECT BRUSH	1	PC.